

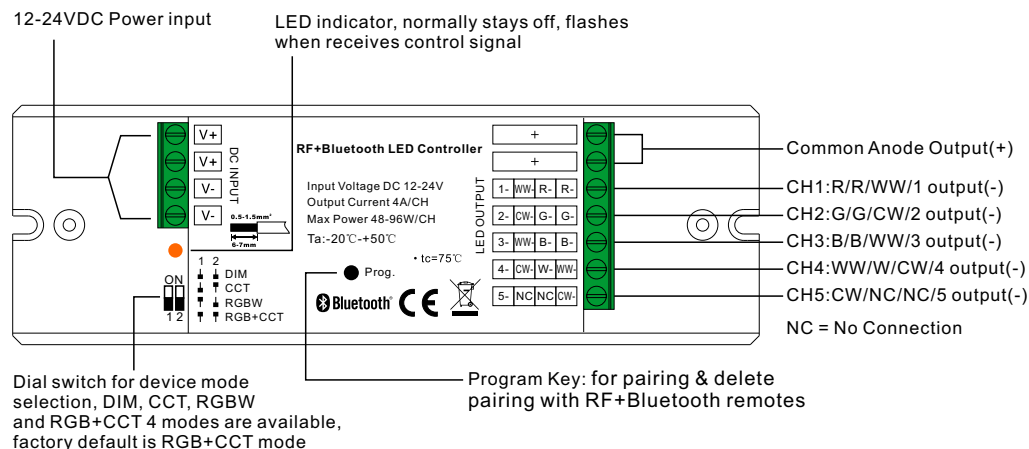
# 4 in 1 Universal RF+Bluetooth LED Controller

SB.01029.04737



**Important:** Read All Instructions Prior to Installation

## Function introduction



## Product Data

Input Voltage	Output Current	Output Power	Remarks	Size(LxWxH)	Ambient Temperature	Max. Casing Temperature
12-24VDC	4A/CH	48-96W/CH	Constant voltage	145x46.5x16mm	-20°C ~ +50°C	75°C

- 4 in 1 universal RF+Bluetooth LED controller, radio frequency: 2.4GHz
- 4 different device modes DIM, CCT, RGBW and RGB+CCT in 1 controller, and selectable by dial switch
- Enables to control ON/OFF, light intensity, color temperature, RGB color of connected LED lights
- Ultra powerful to control Single Color, CCT, RGBW, RGB+CCT LED strips
- Controlled through both smart App and remote controls, no gateway required
- Easy & quick pairing to the smart App by scanning QR code
- Mesh network, much longer control distance, transmits received signal to neighbor devices
- Up to 30m transmission distance between every two neighbor devices
- Encrypted two-way communication, quick status feedback, safe & reliable data transmission
- Compatible with universal RF+Bluetooth remotes, each LED controller can pair to max. 8 remotes
- Waterproof grade: IP20

## Safety & Warnings

- DO NOT install with power applied to device.
- DO NOT operate the dial switches for device mode selection with power applied to device.
- DO NOT expose the device to moisture.

## Operation

### Pair/delete the pairing with RF+Bluetooth remote

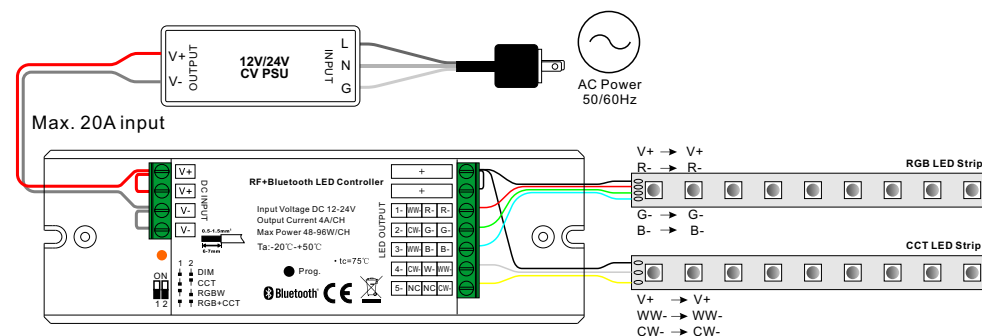
1. Do wiring according to connection diagram.
2. Pair LED controller with RF+Bluetooth remote: please refer to the instruction of the remote that you would like to pair with.
3. Delete the pairing:
  - (1) Wire up the LED controller correctly, power on.
  - (2) Press and hold down the “ Prog.” button on the controller for over 3 seconds until the connected light flashes, which means well deleted.

### Pair with smart APP

1. Do wiring according to connection diagram.
2. Please refer to the **EasyThings** App user manual for details of adding device.

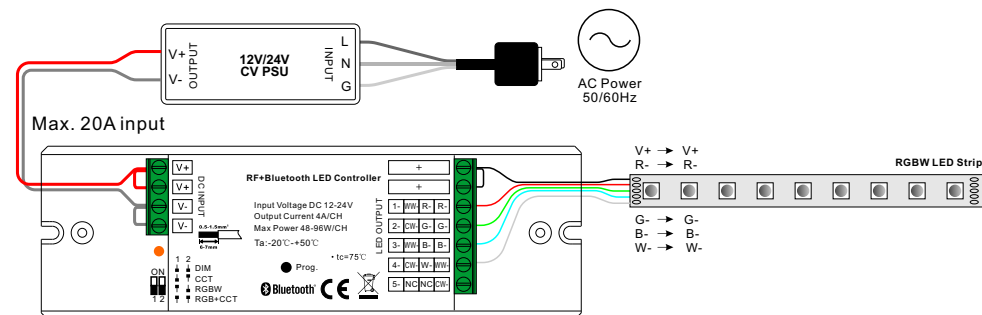
## Wiring Diagram

### 1) RGB+CCT Mode



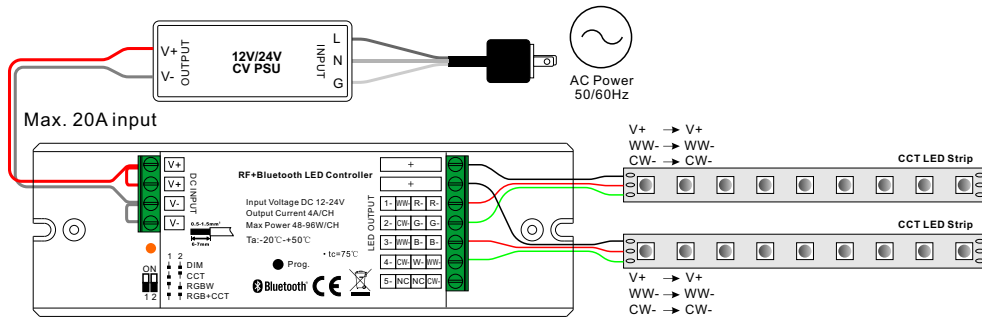
**Note:** please make sure the dial switches are at position for RGB+CCT mode as shown in above diagram.

### 2) RGBW Mode



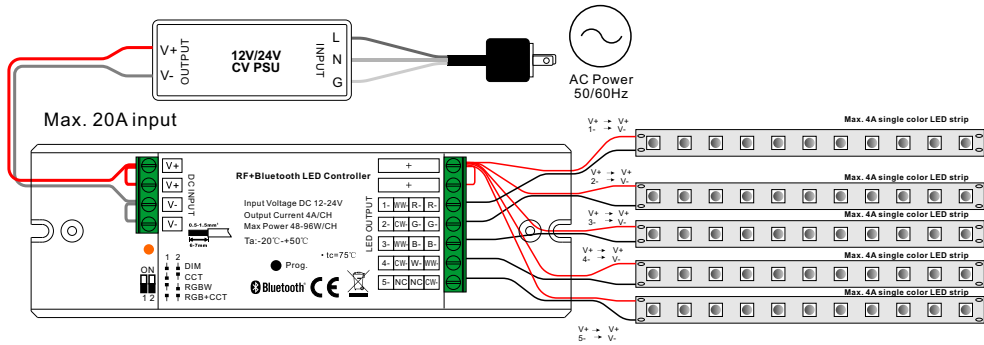
**Note:** please make sure the dial switches are at position for RGBW mode as shown in above diagram.

### 3) CCT Mode



**Note:** please make sure the dial switches are at position for CCT mode as shown in above diagram.

### 4) DIM Mode



**Note:** please make sure the dial switches are at position for DIM mode as shown in above diagram.

### Product Dimension

