

Specification

Prepared	Checked	Approved	Accepted	Confirmed	Approved

- UL
- CE
- RoHS
- 2835 SMD
- 60/120 LEDS/M
- LED Strip
- DC 12/24V
- IP 67
- 3 years

Model: ☉ RD3060TA-B、 RD30C0TC-B、 RD3260TA-A、 RD3260TC-A

5000*10mm, 300pcs 2835 SMD LEDs, half surrounding tube with silica gel injected series, constant voltage 12Vdc, waterproof flexible LED strip

5000*10mm, 600pcs 2835 SMD LEDs, half surrounding tube with silica gel injected series, constant voltage 24Vdc, waterproof flexible LED strip

5000*12mm, 300pcs 2835 SMD LEDs, half surrounding tube with silica gel injected series, constant voltage 12Vdc, waterproof flexible LED strip

5000*12mm, 300pcs 2835 SMD LEDs, half surrounding tube with silica gel injected series, constant voltage 24Vdc, waterproof flexible LED strip

Picture:



Features:

- ☉ Adopt 2835 SMD LEDs with high strength, high reliability;
- ☉ ERP color standard, one bin only, with good color consistency;
- ☉ Good oxidation resistance by silver-plated pad;
- ☉ Engineering pad design, easy soldering;
- ☉ New ID, simple and artistic;
- ☉ UL、CE、RoHS compliant, guaranteed quality.

Applications:

- ☉ Suitable for hotel, shopping mall, home, cabinet, show frame, etc. as main lighting, indirect lighting, cove lighting, contour lighting, decorative lighting, etc.

Warranty:

- ☉ 3 years or 13,000 hours, whichever comes first

Optical and Electrical Parameters:

P/N	LED Color	CCT (K)	CRI	SDCM	Beam Angle (°)	Luminous Flux (lm/m)	Luminous Efficacy (lm/w)	Working voltage (VDC)	Working current(mA)		Power (w)	
									1m[3 9.37 in]	5m[1 96.8 5in]	1m[3 9.37 in]	5m[1 96.8 5in]
RD3060TA-B	White	1800	≥80	≤5	≥115	360	60	12	500	1830	6	22
RD3060TA-B	White	2200	≥80	≤5	≥115	456	76	12	500	1830	6	22
RD3060TA-B	White	2400	≥80	≤5	≥115	474	79	12	500	1830	6	22
RD3060TA-B	White	2700	≥80	≤5	≥115	480	80	12	500	1830	6	22
RD3060TA-B	White	3000	≥80	≤5	≥115	486	81	12	500	1830	6	22
RD3060TA-B	White	4000	≥80	≤5	≥115	516	86	12	500	1830	6	22
RD3060TA-B	White	5000	≥80	≤5	≥115	480	80	12	500	1830	6	22
RD3060TA-B	White	6500	≥80	≤5	≥115	450	75	12	500	1830	6	22
RD30C0TC-B	White	1800	≥80	≤5	≥115	530	62	24	360	1500	8.6	36
RD30C0TC-B	White	2200	≥80	≤5	≥115	671	78	24	360	1500	8.6	36

RD30C0TC-B	White	2400	≥80	≤5	≥115	696	81	24	360	1500	8.6	36
RD30C0TC-B	White	2700	≥80	≤5	≥115	708	82	24	360	1500	8.6	36
RD30C0TC-B	White	3000	≥80	≤5	≥115	715	83	24	360	1500	8.6	36
RD30C0TC-B	White	4000	≥80	≤5	≥115	753	88	24	360	1500	8.6	36
RD30C0TC-B	White	5000	≥80	≤5	≥115	705	82	24	360	1500	8.6	36
RD30C0TC-B	White	6500	≥80	≤5	≥115	659	77	24	360	1500	8.6	36
RD3260TA-A	White	1800	≥80	≤5	≥115	660	55	12	1000	3830	12	46
RD3260TA-A	White	2200	≥80	≤5	≥115	828	69	12	1000	3830	12	46
RD3260TA-A	White	2400	≥80	≤5	≥115	864	72	12	1000	3830	12	46
RD3260TA-A	White	2700	≥80	≤5	≥115	876	73	12	1000	3830	12	46
RD3260TA-A	White	3000	≥80	≤5	≥115	888	74	12	1000	3830	12	46
RD3260TA-A	White	4000	≥80	≤5	≥115	936	78	12	1000	3830	12	46
RD3260TA-A	White	5000	≥80	≤5	≥115	876	73	12	1000	3830	12	46
RD3260TA-A	White	6500	≥80	≤5	≥115	816	68	12	1000	3830	12	46
RD3260TC-A	White	1800	≥80	≤5	≥115	660	55	24	500	2000	12	48
RD3260TC-A	White	2200	≥80	≤5	≥115	828	69	24	500	2000	12	48
RD3260TC-A	White	2400	≥80	≤5	≥115	864	72	24	500	2000	12	48
RD3260TC-A	White	2700	≥80	≤5	≥115	876	73	24	500	2000	12	48
RD3260TC-A	White	3000	≥80	≤5	≥115	888	74	24	500	2000	12	48
RD3260TC-A	White	4000	≥80	≤5	≥115	936	78	24	500	2000	12	48
RD3260TC-A	White	5000	≥80	≤5	≥115	876	73	24	500	2000	12	48
RD3260TC-A	White	6500	≥80	≤5	≥115	816	68	24	500	2000	12	48

Others:

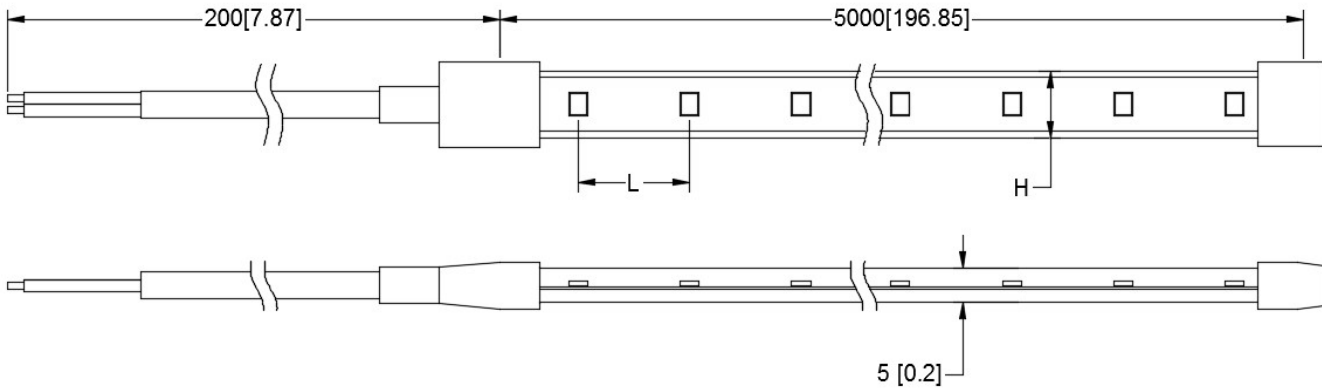
P/N	IP Grade	Operating Temp		Storage Temp		Standard length		Max. cascading length		LED Qty (pcs)	Weight	
		(°C)	(°F)	(°C)	(°F)	(m)	(inch)	(m)	(inch)		(g/m)	(lb/m)
RD3060TA-B	IP67	-25~ +60	-13~ +140	-25~ +70	-13~ +158	5	196.8	5	196.8	60	/	/
RD30C0TC-B	IP67	-25~ +60	-13~ +140	-25~ +70	-13~ +158	5	196.8	5	196.8	60	/	/
RD3260TA-A	IP67	-25~ +60	-13~ +140	-25~ +70	-13~ +158	5	196.8	5	196.8	60	/	/
RD3260TC-A	IP67	-25~ +60	-13~ +140	-25~ +70	-13~ +158	5	196.8	5	196.8	60	/	/

Notes:

- (1) Testing environment temperature: 25±2°C [77±3.6°F];
- (2) The above data each single product could differ from the typical values. The data subject to change without prior notice;
- (3) The above CCT is derived from bare LED. Due to the refraction of the half pack filling tube, there may be slight changes. Please refer to the actual sample for the final CCT.
- (4) The above "--" means the parameters are not required temporarily.

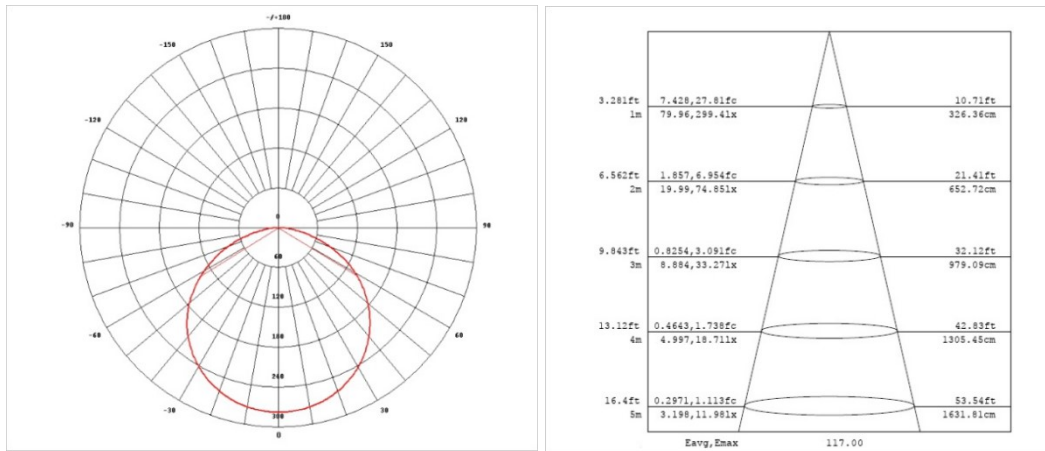
Profile Drawings:

Unit: mm[inch]



P/N	L	H
RD3060TA-B	16.67[0.66]	10[0.39]
RD30C0TC-B	8.33[0.33]	10[0.39]
RD3260TA-A	16.67[0.66]	12[0.47]
RD3260TC-A	16.67[0.66]	12[0.47]

Light Distribution/Iso-illuminance Diagram:



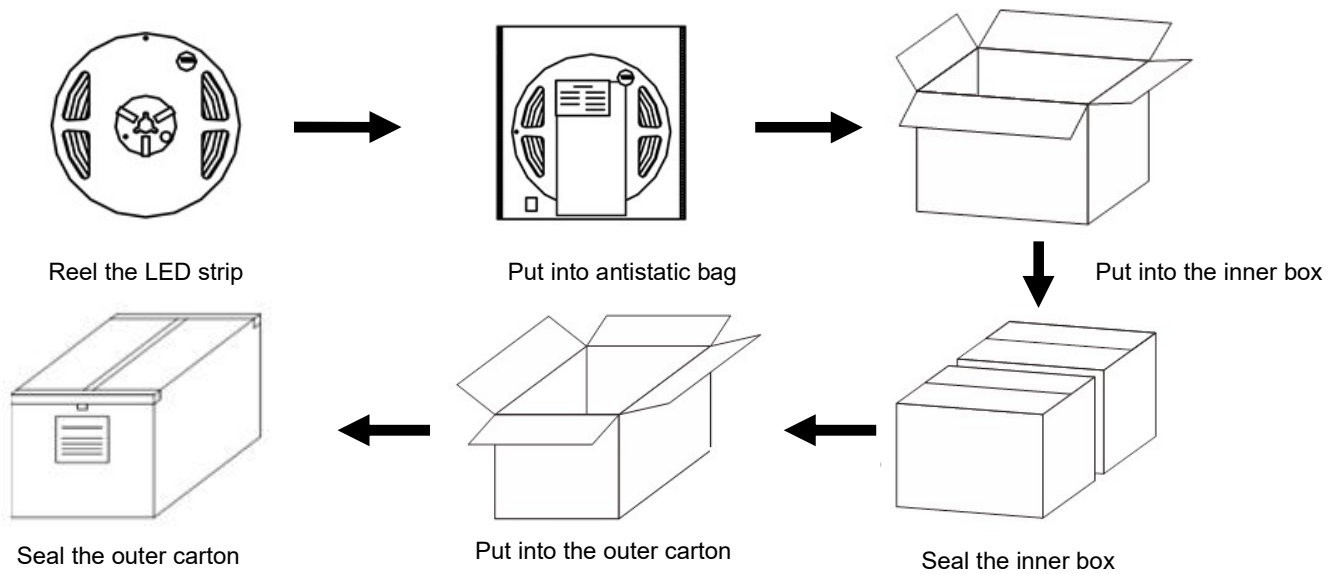
Packaging Information:

P/N	Qty (m/reel)	Qty (m/carton)	Total Qty	Total weight	Outer carton size		
					length	width	height

			(m)	(kg)	(lb)	(mm)	(inch)	(mm)	(inch)	(mm)	(inch)
RD3060TA-B	5	75	150	13.6	29.98	458	18.03	256	10.08	268	10.55
RD30C0TC-B	5	75	150	13.6	29.98	458	18.03	256	10.08	268	10.55
RD3260TA-A	5	75	150	13.5	29.75	458	18.03	256	10.08	268	10.55
RD3260TC-A	5	75	150	13.5	29.75	458	18.03	256	10.08	268	10.55

Notes: Above qty and weight of packing is only for the packing shown in the picture, which might be different from other packing modes, thus for actual qty and weight please refer to actual samples.

Packaging Diagram:



Connection Instruction:

Notes: please make sure the "+" and "-" of the product's input are correctly connected to those of the power supply output.

"+" red wire "-" black wire

Parts & Tools:

Product Spare Parts

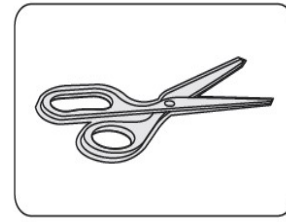


LED Strip

Self-provided Tools

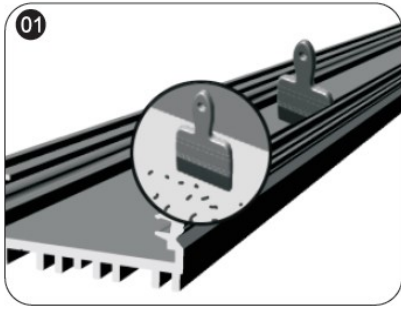


Electrical Drill & Drilling bit

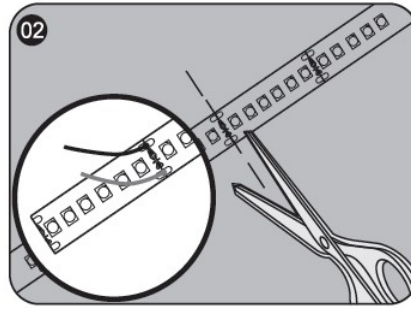


Scissors

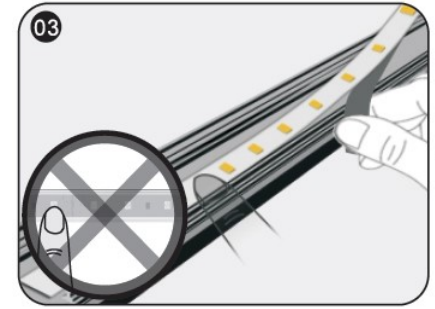
Installation Steps & Cautions:



01 Make sure the mounting surface is clean before installation;



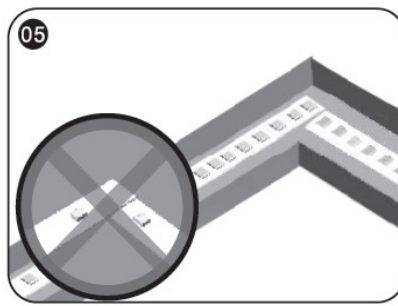
02 Calculate the needed length and cut off the extra length along cutting mark if necessary; if need to add wires, please weld them at the next location with printed mark.



03 While sticking strips, peel off the release paper of the tape step by step. Don't peel off all release paper at a time to avoid getting your strip in a mess.
△Notes: No pressing the bead!



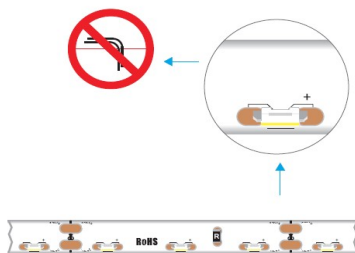
04 Stick Mylar tape to isolate the cutting position from the bottom of profile inner slot to avoid short-circuit;



05 The installation at the corner is shown as the above figure.
△Notes: No bending it into right angle; No twisting it to stick on the mounting surface.



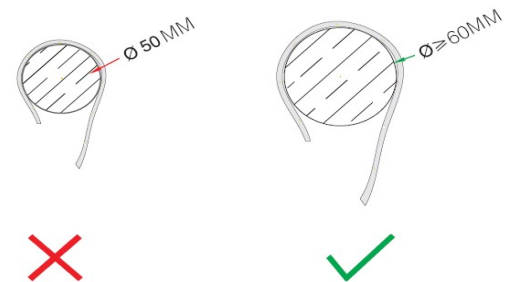
06 Connect strip wires to the output terminal of power supply, and dispose with waterproof, insulation, short-circuit and anti-corrosion protection at both the wire joints and the cut section of your strip (if any)



0 No bending the strip at the position of LED



0 No twisting the strip



0 No winding an object with a diameter <5cm

Troubleshooting:

Malfunctions	Possible Causes	Solutions
All LEDs don't work	1. The power supply did not connect to power grid.	Power on
	2. No electricity due to short-circuit of external power supply.	Remove the malfunction caused by short-circuit, power on again.
	3. The wires of strips connect to power supply output reversely.	Check the connecting and ensure the wires are connected correctly.
Part of LEDs don't work	1. Part of power supplies do not have output.	Check the power supply system.
	2. Part of wires of strips have malfunction.	
	3. Particular modules connected reversely.	Correct connection
Brightness of LEDs is weak or uneven	1. Overloaded power supply;	Replace it with higher power supply
	2. The power loss of power circuit is huge or the power loss of each circuit existing big difference.	Ensure working voltage of strips is within $\pm 5\%V$ of rated voltage. (1. Shorten the length of wires between the first strip and power supply or replaced with wires with bigger diameter; 2. Ensure the cascading qty of string is less than or equal to the allowed maximum cascading qty, and each strip cascading qty is well-balanced.)
	3. Exceed in qty of strips in series	Lessen the cascading qty for strip and ensure the qty for each electrical circuit is within the maximum cascading qty.
LEDs are blinking	1. Poor contacted in the joints.	Find out and tackle malfunction immediately.
	2. Failures in power supply.	Replace power supply.

Declaration:

- ⊙ If the external flexible cable of light box is damaged, please replace it by its manufacturer or its service agent or qualified person to avoid a hazard.
- ⊙ The specific installation and cautions please refer to the user manual.
- ⊙ The given data in this specification is based on our standard product. There may be existed slight difference compared with actual products.
- ⊙ All Illustrations in this specification are for reference only.
- ⊙ This product is subject to change or modify without prior notice.
- ⊙ RISHANG OPTOELECTRONICS CO., LTD. reserves the right of final explanation for this specification.

<End>

Rishang Optoelectronics Co., Ltd. (stock code: 002654)

Add: Block 2, Hongfa jiateli High-Tech. Park Tangtou Ave., Shiyao, Bao'an Shenzhen
Guang Dong, 518108, China
Tel: +86-755-33258896 E-mail: info@ledlamps.com.cn
Website: www.ledlamps.com.cn

Website

Official Account

