

PRODUCT DESCRIPTION

- Minimum width and length
- Narrow line of light

FINISH :

Silver anodized

*Custom colors available upon request



Fill empty fields

Product nr.	
Fixture type	
Company	
Job name	
Date	

TECHNICAL SPECIFICATION

Application

The profile is designed for use in gaps of various materials with small cross-sections. It can be mounted to the edge of thin planes, glass, plastics etc. used in the furniture, exhibition, stage design, interior design, vehicles, etc.

Assembly

- with fixing glues, professional double-sided adhesive tapes

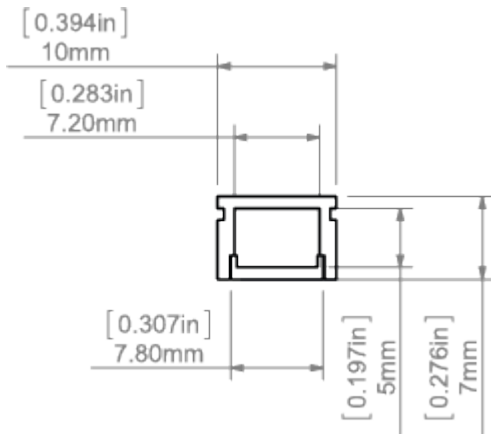
Additional information

- the profile is suitable for bending into gentle curves, in the plane adjacent to the LED strip
- the extrusion comes with frosted covers (diffusers) and aluminum-colored plastic end caps

AVAILABLE LENGTHS

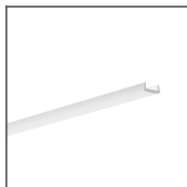
Ref. nr.	surface finish	available lengths
B8288ANODA_1	Silver anodized	1000 mm
B8288ANODA_2	Silver anodized	2000 mm
B8288ANODA_3	Silver anodized	3000 mm

TECHNICAL DRAWING

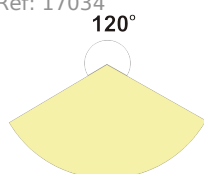


RELATED PRODUCTS

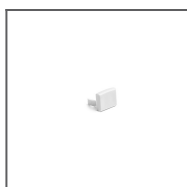
COVERS



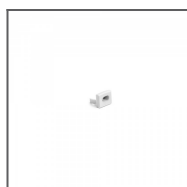
PIKO frosted Cover
Ref: 17034



END CAPS



PIKO grey End
cap
Ref: 24202



PIKO-OTW grey
End cap
Ref: 24299

MARKETING MATERIALS



Display
P230-90107M
Ref: 90107M



Presentation set 6
Ref: 90125