

PRODUCT DESCRIPTION

- Multiple mounting methods
- Three types of dedicated covers
- Can be connected into linear straight or broken runs Ability to create a line of light

FINISH :

Silver anodized 

Fill empty fields

Product nr.	
Fixture type	
Company	
Job name	
Date	

TECHNICAL SPECIFICATION

Application

- construction of lighting fixtures suitable for main and decorative lighting

Assembly

- surface springs, mounting brackets or various suspension systems
- can be mounted in a groove made using a mounting extrusion

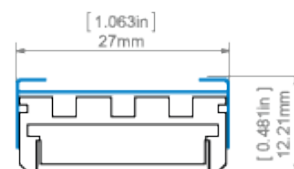
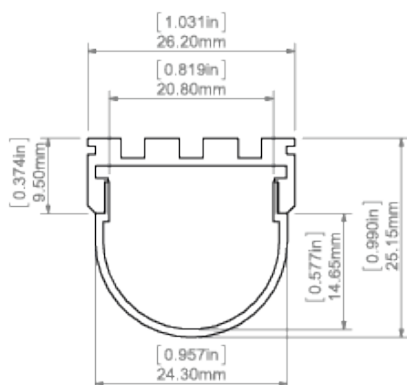
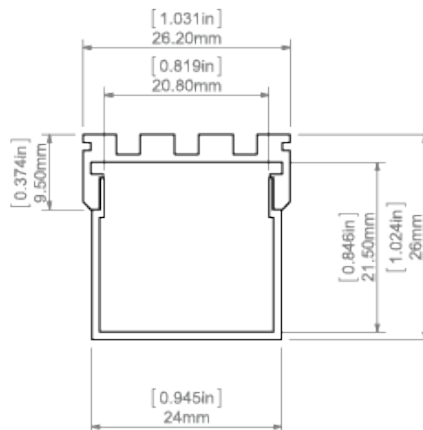
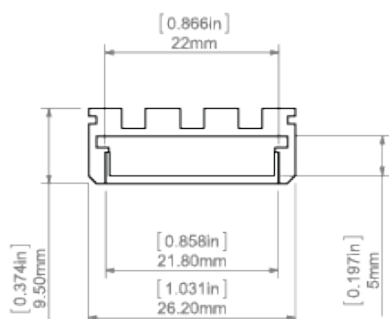
Additional information

- line of light can be achieved by using square or semi-circular covers
- appropriate end caps are provided for each type of cover

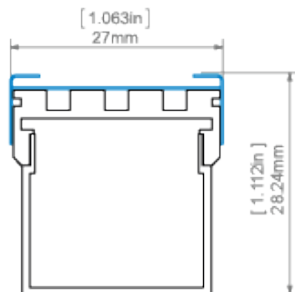
AVAILABLE LENGTHS

Ref. nr.	surface finish	available lengths
B5556ANODA_1	Silver anodized	1000 mm
B5556ANODA_2	Silver anodized	2000 mm
B5556ANODA_3	Silver anodized	3000 mm

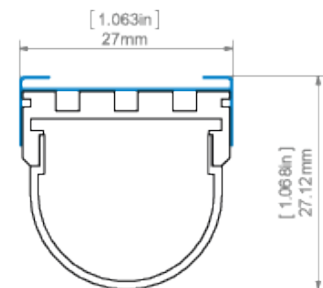
TECHNICAL DRAWING



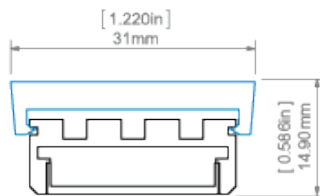
GIZA profile and AM-24 mounting bracket
profil GIZA z mocownikiem AM-24



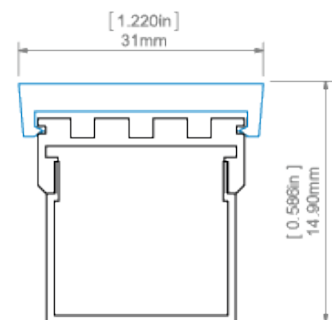
GIZA profile with G-K cover and AM-24 mounting bracket
profil GIZA z osłoną G-K oraz mocownikiem AM-24



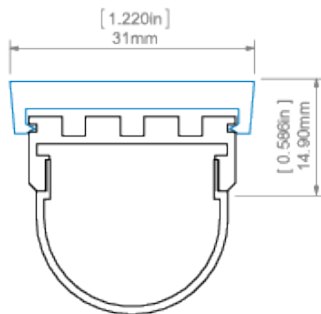
GIZA profile with G-L cover and AM-24 mounting bracket
profil GIZA z osłoną G-L oraz mocownikiem AM-24



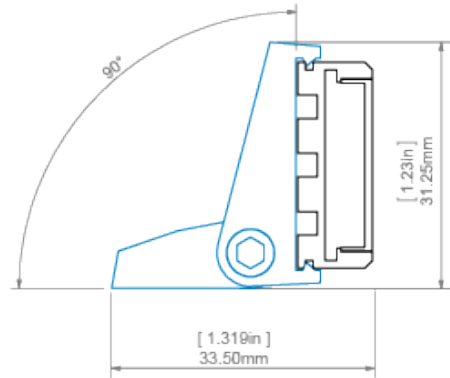
GIZA profile and GIP mounting bracket
profil GIZA z mocownikiem GIP



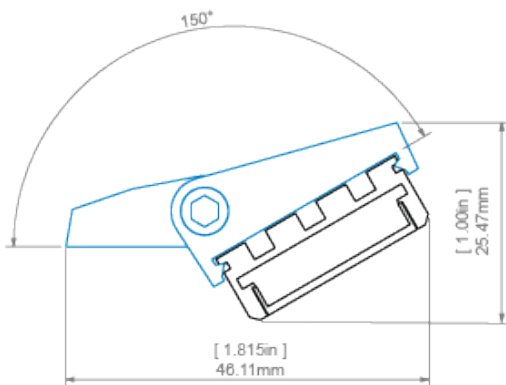
GIZA profile with G-K cover and GIP mounting bracket
profil GIZA z osłoną G-K oraz mocownikiem GIP



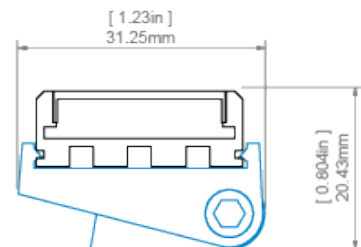
GIZA profile with G-L cover and GIP mounting bracket
profil GIZA z osłoną G-L oraz mocownikiem GIP



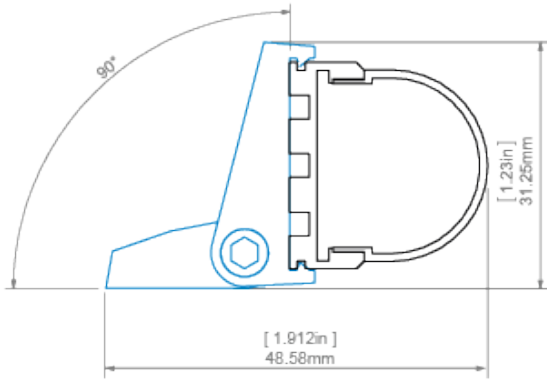
GIZA profile and REGIP-UV mounting bracket
profil GIZA z mocownikiem REGIP-UV



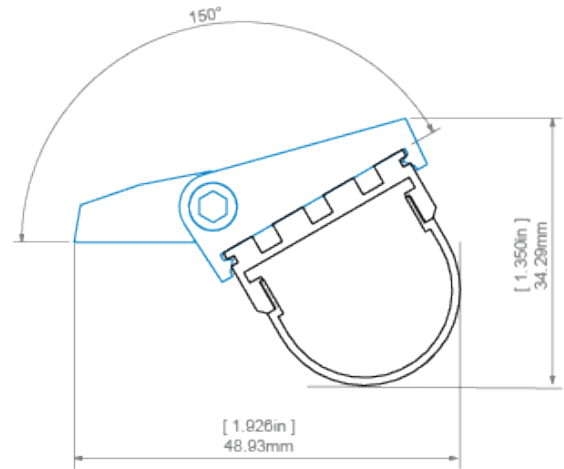
GIZA profile and REGIP-UV mounting bracket
profil GIZA z mocownikiem REGIP-UV



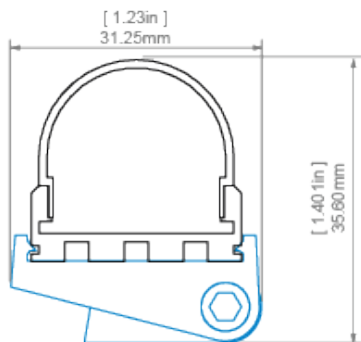
GIZA profile and REGIP-UV mounting bracket
profil GIZA z mocownikiem REGIP-UV



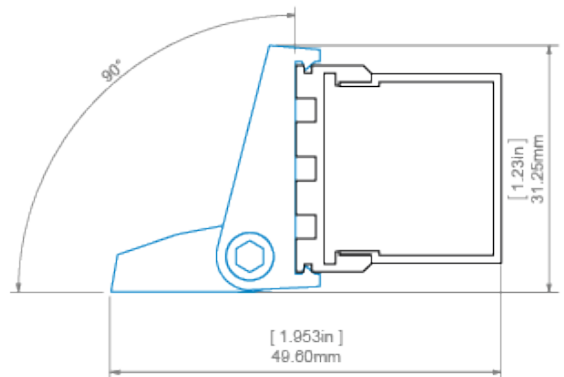
GIZA profile with G-L cover and REGIP-UV mounting bracket
profil GIZA z osłoną G-L oraz mocownikiem REGIP-UV



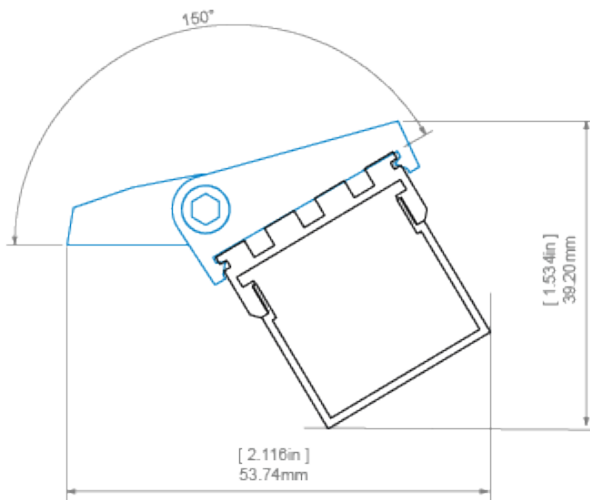
GIZA profile with G-L cover and REGIP-UV mounting bracket
profil GIZA z osłoną G-L oraz mocownikiem REGIP-UV



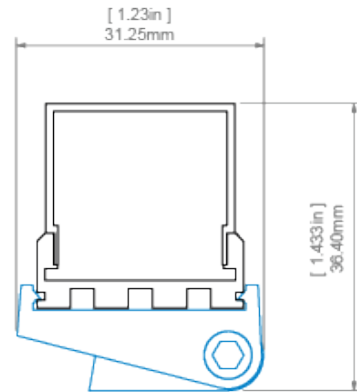
GIZA profile with G-L cover and REGIP-UV mounting bracket
profil GIZA z osłoną G-L oraz mocownikiem REGIP-UV



GIZA profile with G-K cover and REGIP-UV mounting bracket
profil GIZA z osłoną G-K oraz mocownikiem REGIP-UV

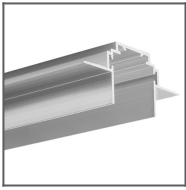


GIZA profile with G-K cover and REGIP-UV mounting bracket
profil GIZA z osłoną G-K oraz mocownikiem REGIP-UV

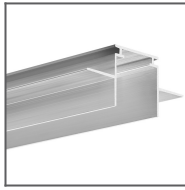


GIZA profile with G-K cover and REGIP-UV mounting bracket
profil GIZA z osłoną G-K oraz mocownikiem REGIP-UV

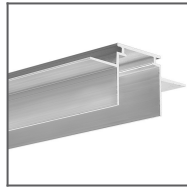
RELATED PROFILES



TEKNIK-ZM Profile
Ref: C0399



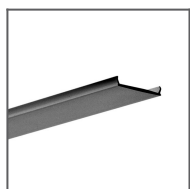
TEKNIK Profile
Ref: B5555V1



TEKUS Profile
Ref: B6638V1

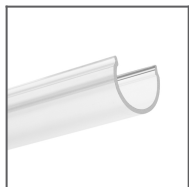
RELATED PRODUCTS

COVERS



LIGER-22 black Cover
Ref: 17044

90°

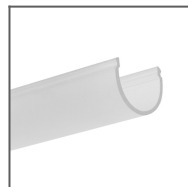


G-L clear Cover
Ref: 17006



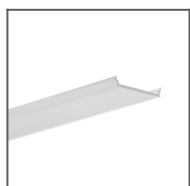
G-K semi-transparent Cover
Ref: 00415

120°



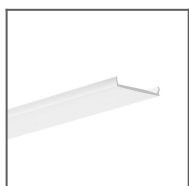
G-L semi-transparent Cover
Ref: 17008

120°



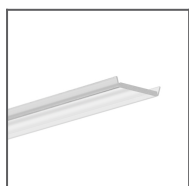
MUN-22 semi-transparent Cover
Ref: 17042

100°

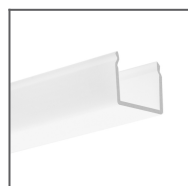


LIGER-22 frosted Cover
Ref: 17032V1

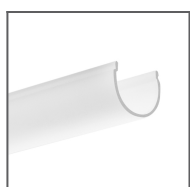
110°



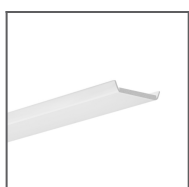
HS-22 clear Cover
Ref: 17022



G-K frosted Cover
Ref: 17007



G-L frosted Cover
Ref: 00413



HS-22 frosted Cover
Ref: 17011

100°



END CAPS



GIL metalized End cap
Ref: 24035



GIZAT metalized End cap
Ref: 24036



GIZA grey End cap
Ref: 24007



GIL grey End cap
Ref: 24029



GIZAT grey End cap
Ref: 24030



GIZA metalized End cap
Ref: 24131

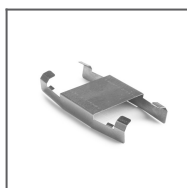
ACCESSORIES



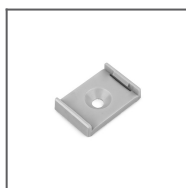
PUSZ-LIN-ZM Fastener
Ref: 42256



PUSZ-PRET-ZM Fastener
Ref: 42250



AM-24 Mounting bracket
Ref: 24235



GIP Mounting bracket
Ref: 24143



REGIP-UV Mounting bracket
Ref: 24271



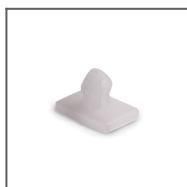
DP Fastener
Ref: 00644



DP-ZO Fastener
Ref: 00649



DP-ZZ Fastener
Ref: 00651



TEKNIK Latch
Ref: 24003



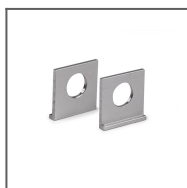
BZP Head
Ref: 42213



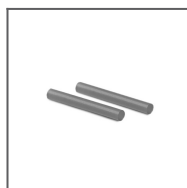
BZP-ZO Head
Ref: 42214



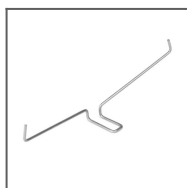
BZP-ZZ Head
Ref: 42215



UCHO-ZM Fastener
Ref: 42512



ZM Block
Ref: 42520



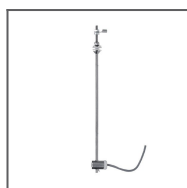
GP Spring
Ref: 00293



M11 Fastener set
Ref: 42609



M12 Fastener set
Ref: 42610



M13 Fastener set
Ref: 42611



W1 Fastener set
Ref: 42602



W2 Fastener set
Ref: 42603



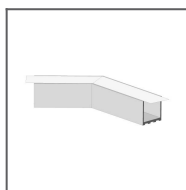
W6 Fastener set
Ref: 42604



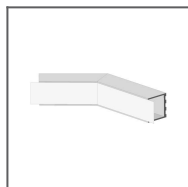
W7 Fastener set
Ref: 42605



8,8x1,2 Gland
Ref: 00802



L135 LIPOD
Coupler
Ref: _



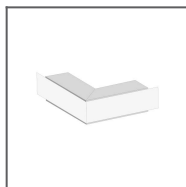
L135PW LIPOD
Coupler
Ref: _



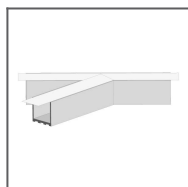
L135PZ LIPOD
Coupler
Ref: _



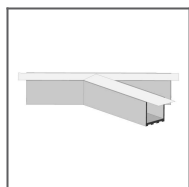
L90PW LIPOD
Coupler
Ref: _



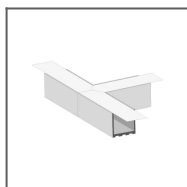
L90PZ LIPOD
Coupler
Ref: _



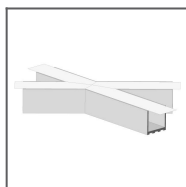
T135L LIPOD
Coupler
Ref: _



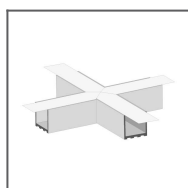
T135R LIPOD
Coupler
Ref: _



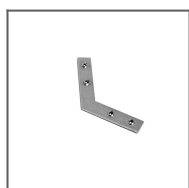
T90 LIPOD
Coupler
Ref: _



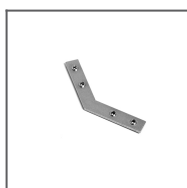
X135 LIPOD
Coupler
Ref: _



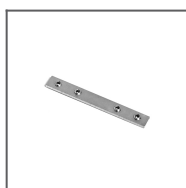
X90 LIPOD
Coupler
Ref: _



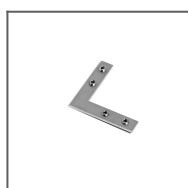
ZM-120
Connector
Ref: 42728



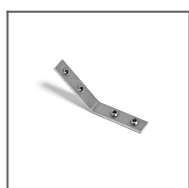
ZM-135
Connector
Ref: 42720



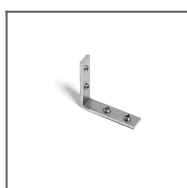
ZM-180
Connector
Ref: 42717



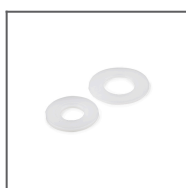
ZM-90 Connector
Ref: 42716



ZM-PION-135
Connector
Ref: 42719



ZM-PION-90
Connector
Ref: 42718



ARMSTRONG
Isolating bases
Ref: 42712



Fi-3 Isolating
bases
Ref: 42203



Fi-5 Isolating
bases
Ref: 42204



Fi-6 Isolating
bases
Ref: 42205

MARKETING MATERIALS



Display
P230-90080M
Ref: 90080M



Display
P230-90120M
Ref: 90120M



Display
P230-90097
Ref: 90097



Presentation set 2
Ref: 90052