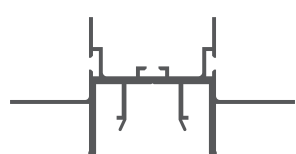


Parts needed to mount the FOLED extrusion



Extrusion (A)



Mounting strip (B)



Ceiling suspender (C)



Cover (D)



LED strip (E)



Stretched ceiling (F)

Tools needed for mounting:

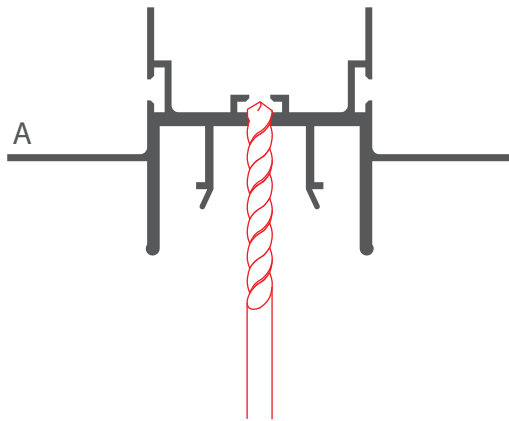
- drill
- screwdriver
- screws
- hand saw

NOTE! All LED strips must be connected to a 12 V or 24 V power supply.

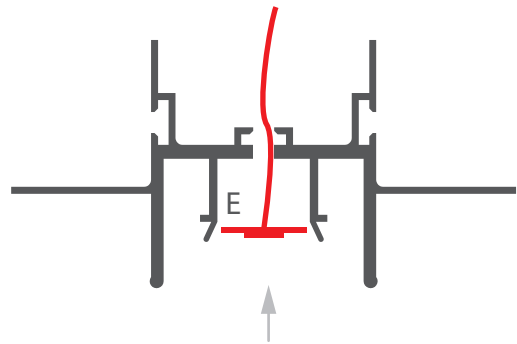
IMPORTANT: The manual presents the simplest mounting procedure.

More mounting procedures and related accessories can be found at www.klusdesign.eu

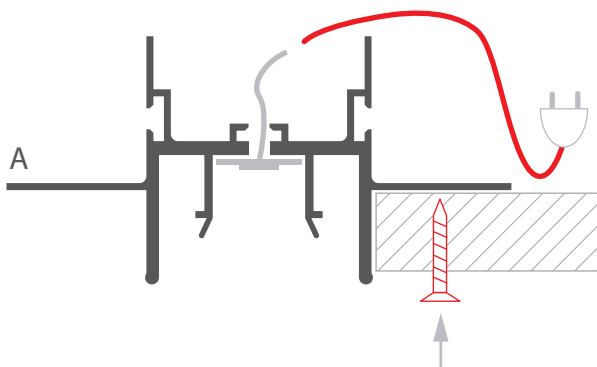
1. Drill holes in the extrusion (A) to lead out power cables.



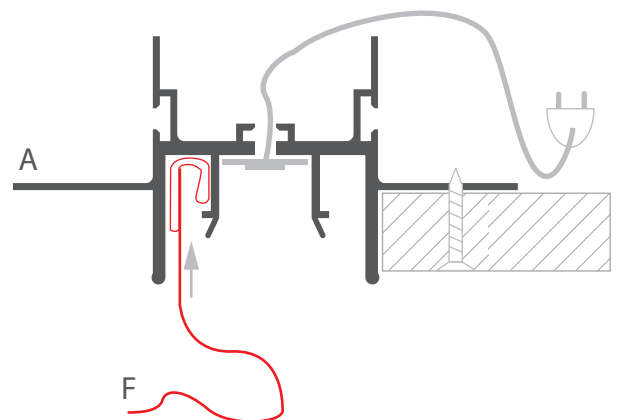
2. Mount the LED strip (E) and lead out the power cable.



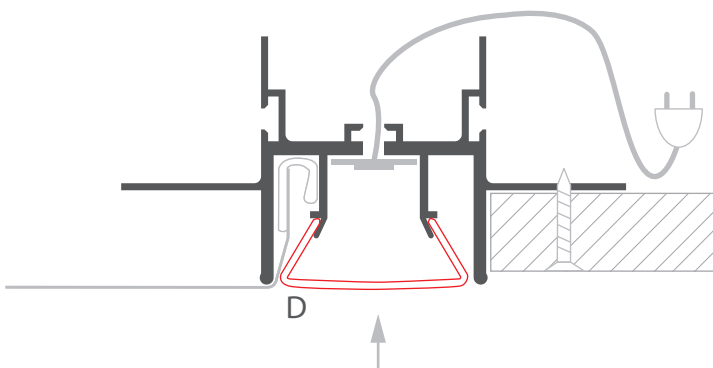
3. Mount the extrusion (A) on the edge of the ceiling with screws and connect power.



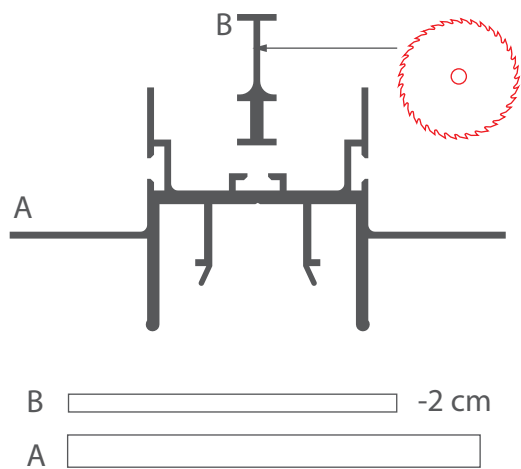
4. Insert the hook of the stretched ceiling (F) in the extrusion (A).



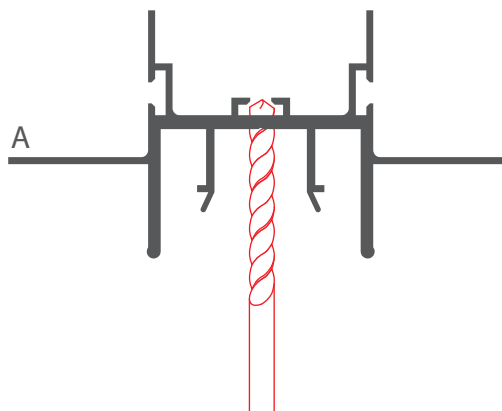
5. Insert the cover (D).



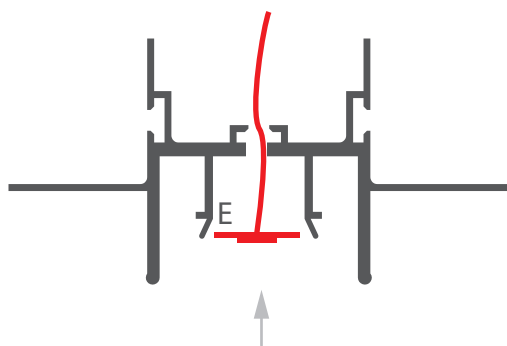
1. Shorten the mounting strip (B) in relation to the extrusion (A) by min. 2 cm. This way you will be able to lead the power cable out of the mounting strip. If necessary, shorten the mounting strip more or divide it into sections.



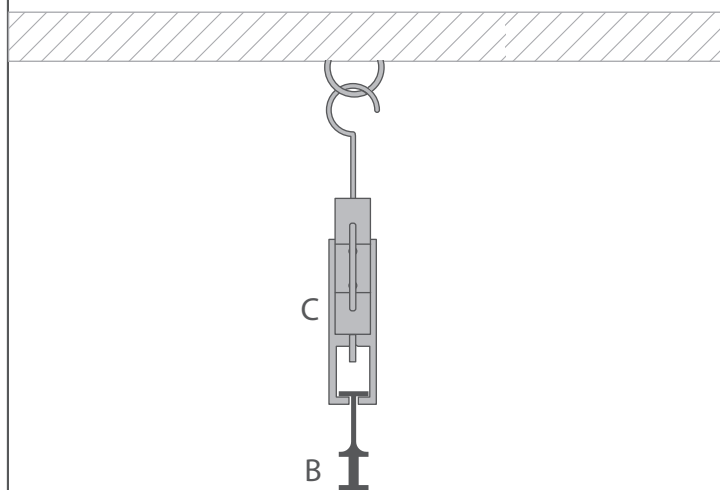
2. Drill holes in the extrusion (A) to lead out power cables.



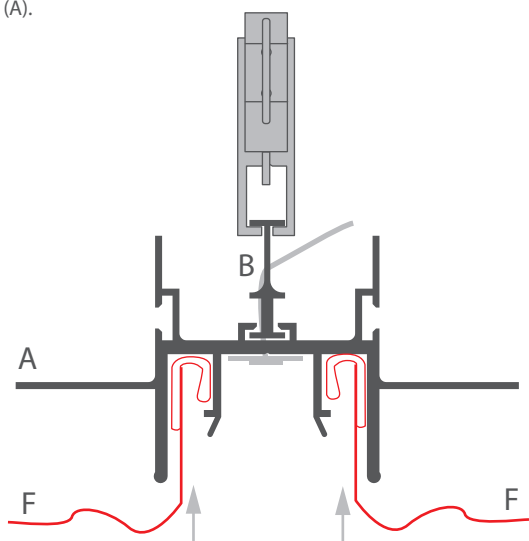
3. Mount the LED strip (E) and lead out the power cable.



4. Insert the mounting strip (B) in the clamp of the ceiling suspender (C). Suspend the assembly.



5. Insert the extrusion (A) into the mounting strip (B). Lead the power cable out of the mounting strip. Insert the hook of the stretched ceiling (F) into the extrusion (A).



5. Insert the cover (D)

