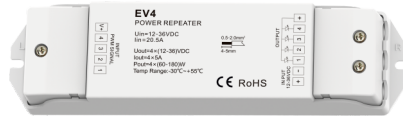


4 Channel Constant Voltage Power Repeater

Model No.: EV4

4 Channel/PWM signal input/Constant voltage output/3KV optoelectronic isolation



CE RoHS LVD

Features

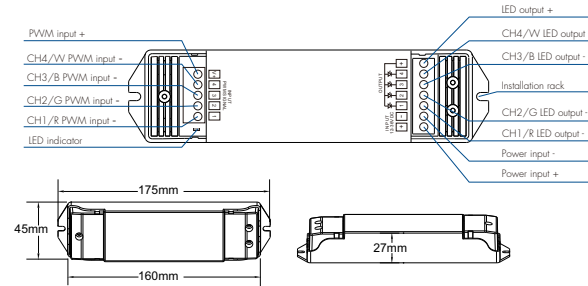
- 12-36V constant voltage power repeater.
- 4 channel, 5A per channel.
- To receive PWM signal control.
- Power repeater in series or in parallel to expand output unlimitedly.
- Apply to single color, dual color, RGB or RGBW constant voltage LED strip or module.

Technical Parameters

Input and Output	
Input voltage	12-36VDC
Input current	20.5A
Input signal	PWM
Output voltage	4 x [12-36]VDC
Output current	4CH,5A/CH
Output power	4 x (60-180)W
Output type	Constant voltage
Environment	
Operation temperature	To: -30°C ~ +55°C
Case temperature (Max.)	Tc: +85°C
IP rating	IP20

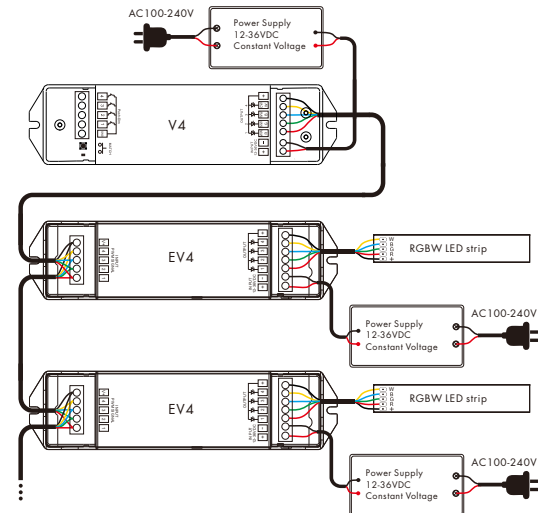
Safety and EMC		
EMC standard (EMC)	EN301 489, EN 62479	
Safety standard(LVD)	EN60950	
Certification	CE, EMC, LVD	
Warranty and Protection		
Warranty	5 years	
Protection	Reverse polarity Over-heat Short circuit	
Weight		
Net weight	0.120kg	
Gross weight	0.140kg	

Mechanical Structures and Installations

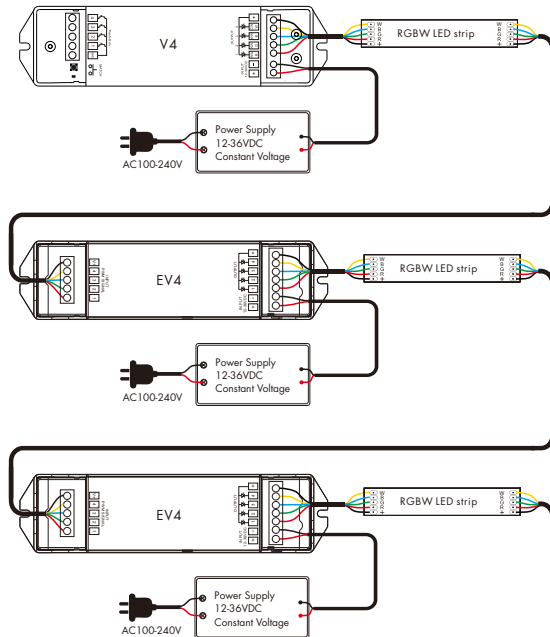


Wiring Diagram

- Parallel connection



- Series connection



Note: If the power repeater is over heat or short circuit, the LED indicator will blink.

Malfunctions analysis & troubleshooting

Malfunctions	Causes	Troubleshooting
No light	<ol style="list-style-type: none"> No power. Wrong connection or insecure. 	<ol style="list-style-type: none"> Check the power. Check the connection.
Wrong color	<ol style="list-style-type: none"> Wrong connection of R/G/B/W wires. 	<ol style="list-style-type: none"> Reconnect R/G/B/W wires.
Uneven intensity between front and rear, with voltage drop	<ol style="list-style-type: none"> Output cable is too long. Wire diameter is too small. Overload beyond power supply capability. Overload beyond controller capability. 	<ol style="list-style-type: none"> Reduce cable or loop supply. Change wider wire. Replace higher power supply. Add power repeater.

Safety & Warnings

- The product shall be installed and serviced by a qualified person.
- This product is non-waterproof. Please avoid the sun and rain.
- Good heat dissipation will prolong the working life of the controller, Please ensure good ventilation.
- Please check if the output voltage of any power supplies used comply with the working voltage of the product.
- Ensure all wire connections and polarities are correct and secure before applying power to avoid any damages to the LED lights.
- If a fault occurs please return the product to your supplier. Do not attempt to fix this product by yourself.